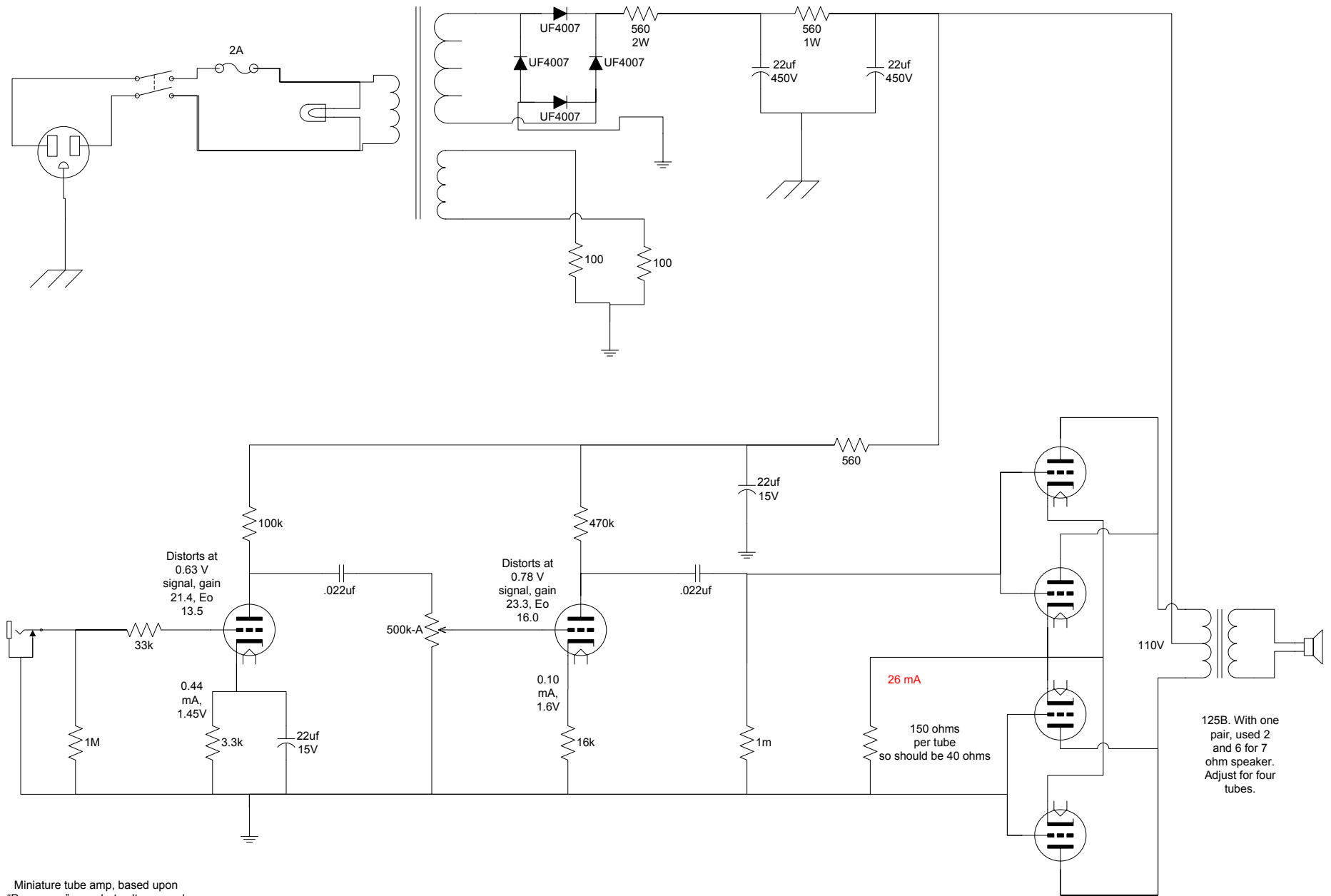


262D6



Miniature tube amp, based upon "Powerman" amp, but voltages and biasing markedly changed.

This drawing copyright Rory Jaffe, 2004. Reproduction for commercial use without authorization prohibited.