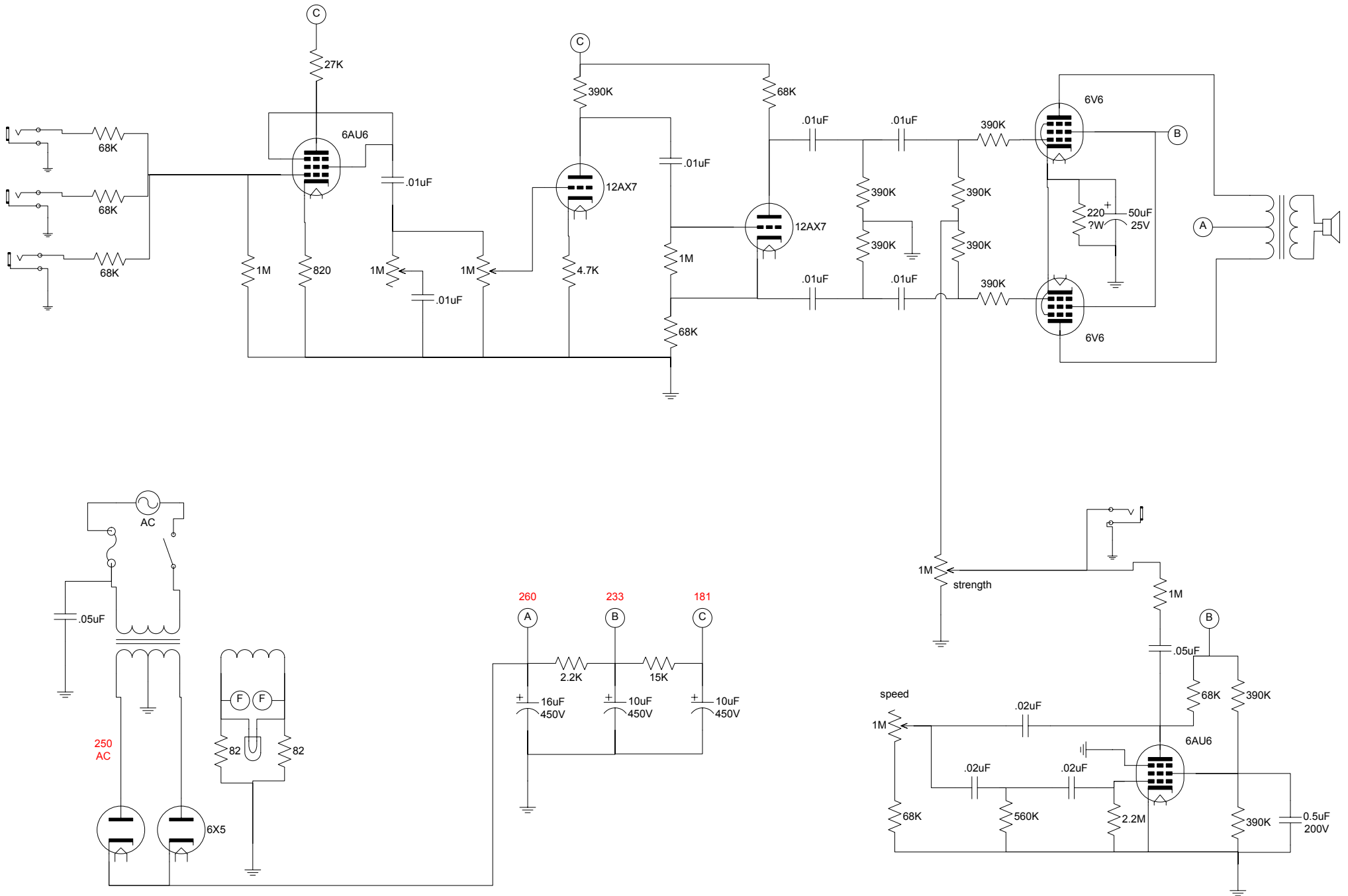


# Danelectro Viscount



All capacitors 600V unless otherwise noted, all pots audio taper, pots coded 137741 (CTS made 1957, 41<sup>st</sup> month), speaker 285732 (Rola 1957, 32<sup>nd</sup> month). Number on amp 1127, probably means built November, 1957. Measured voltages are in red.

This schematic drawing © Rory Jaffe, 2004. Reproduction for profit without permission prohibited.